

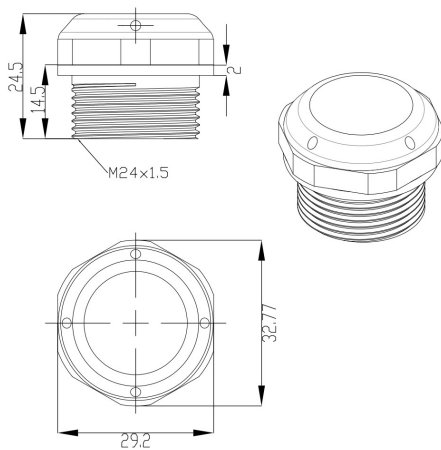
MIV SERIES

Ventilation Parts

MIV-24B PROTECTIVE VENT



- > Maintain high airflow in large outdoor enclosure.
- > Equalize pressure and reduce condensation by allowing air to flow freely into and out of sealed large enclosures.
- > Simple and flat design meets any type of enclosures.
- > IP68 protection class (2 meters/60 min.) and -40° C to +125° C operating temp. range. Best to use under the tough environment.
- > Installing on the side face of enclosures is effective for outdoor use.



- Application wall thickness is up to 5.0mm when using the lock nut. B: Black color

Technical Data

Typical airflow	7L/min(dp=70mbar)
IP PROTECTION	IP68
Recommended torque	0.8Nm
Environmental performance	IEC529, 2nd(Protection class):IP66,IP67,IP68(Immersion:2meters/60min.)IP69K IEC60068-2-1.2.14(Heat resistance) IEC600-2-78(Humidity testing):85 ,85%humidity-1000 hours IEC62108.10.8 9(Solar industry testing):Humidity freeze-High temperature.Hail impact test. UL94V-0fl(Flame resistant)

Part no./Components

Part no.	Material				G	
	① Housing	② Membrane	③ O-ring	④ Lock nut	Thread size	Mount hole
MIV-24B	PA6	FILTER	Silicone	PA6	M24X1.5	24