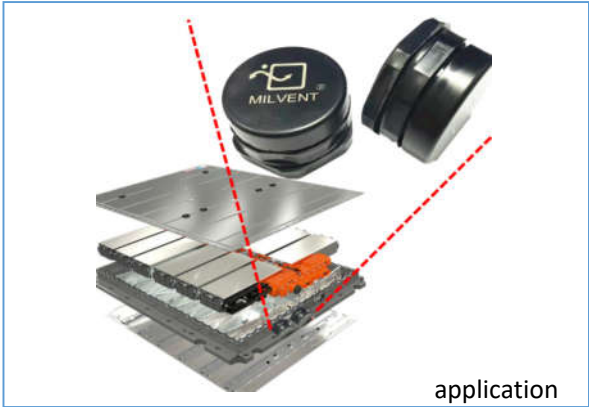


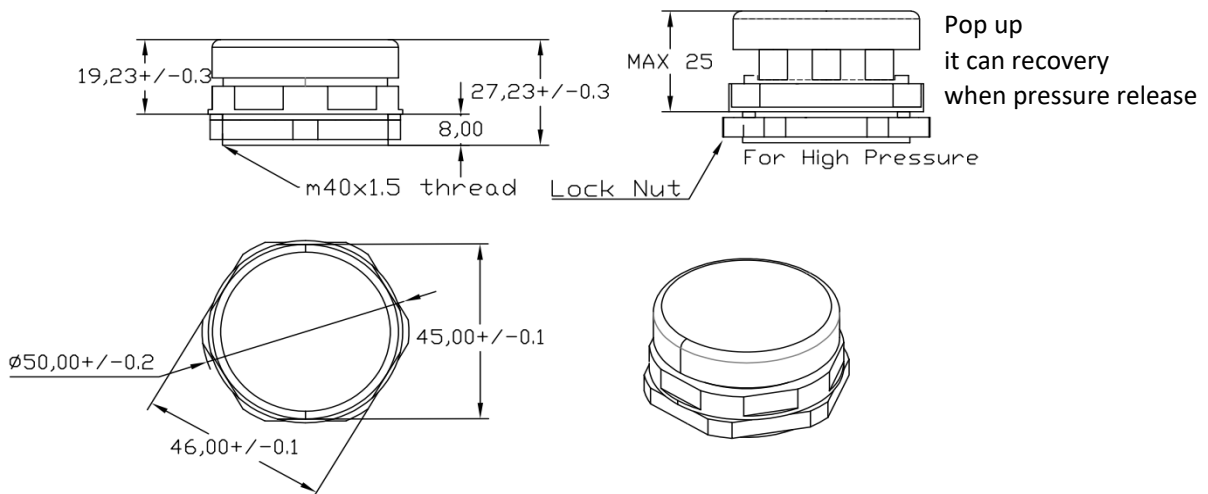
# MIV SERIES

## Venting for Energy Storage

### MIV-40EXB for Battery Pack



- >Maintain high airflow in large EV Battery Pack .
- >Equalize pressure and reduce condensation by allowing air to flow freely into and out of sealed large enclosures.
- >PA6 Material and UL94V0 Grade.
- >IP67,IP68,IP69K and -40° C to +125° C operating temp.range.Best to use under the tough environment.
- >Can Open and pop-up the cover to release higher airflow when heating up under an abnormal status.
- >Installing on the side/Flat face of enclosures is effective for outdoor use.



### Technical Data

How it works(video):

[https://www.milvent.com/m40-Battery-Pack-Vents.html#\\_pp=2\\_331](https://www.milvent.com/m40-Battery-Pack-Vents.html#_pp=2_331)

<b>Typical airflow</b>	12l/min(dp=7mbar)
<b>POP-UP Pressure for Abnomal Status to release more higher airflow</b>	100~200mbar With 2PCS can meet venting hole size of 2000mm <sup>2</sup> @2bar and vent all the gases out in 3s.
<b>IP Protecting Grade</b>	IP67,IP68,IP69K
<b>Recommended torque</b>	1N.m
<b>Enviromental performance</b>	IEC529,2nd(Protection class):IP66.IP67.IP68(Immersion:2meters/60min.)IP69K IEC60068-2-1,2,14(Heat resistance):-40°C~+125°C IEC600-2-78(Humidity testing):85%.85%humidity-1000 hours UL94V-0f1(Flame resistant)

### Part no./Components

Part no.	Material				G		SW	Sales unit
	① Housing	② Membrane	③ Gasket	④ Lock nut	Thread size	Mount hole		
MIV-40EXB (BLACK)	PA6 V0	PTFE	Silicone	PA6 V0 ultra thin and 5mm thickness	M40x1.5	40+0.2mm	45	100
MIV-40EXB (NO LOGO)								