

MIV Metal Venting Screw

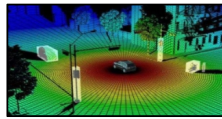
Actual Picture



Performance:

- >Block ingress of wide range of contaminants,from rain and insects to dirt,dust,sand and other,particulates,best to use under the tough environment.
- >IP 67,IP68,IP69K and -40° C to +125° C operating temp.range
- >Installing on the side/Vertical face of enclosures is effective for outdoor use.
- >Breather plug with SUS304 material and specially-designed internal venting filter inside,The filter venting always make the pressure equilibrium and protects your enclsoure
- It is especially recommended for Lidar or other automotive application.

Application:



Lidar

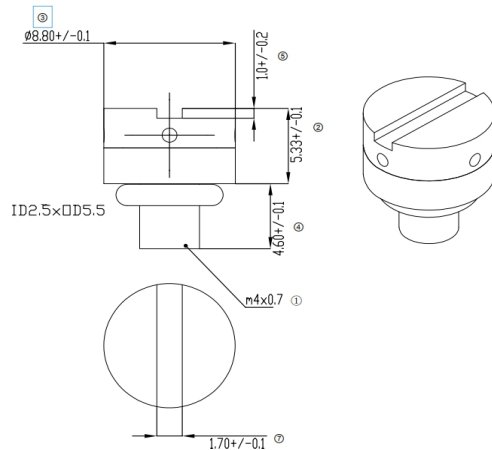


Telecom



Lighting

Dimensions



Part No.	MIV-04MSUS69	Enviromental performance
Thread Type	m4x0.7 with Varnish	IP66,IP67(Immersion:1meters/30min.) IP68,IP69K -40°C--+125°C High temperature,High impact test. Salt Spray Test:720h
Typical Airflow ml/min(dp=70mbar)	20	
Body and Cap Material	SUS304+Passivation Coating	
O-ring	Red Silicone	

Other sizes please check with us.We can OEM any sizes for you rapidly .

www.milvent.com; milvent@milvent.com

+8618218369198