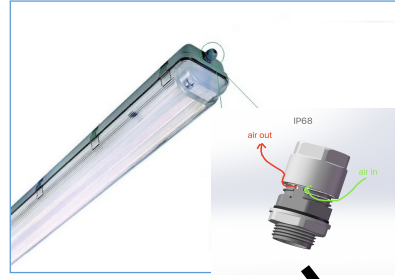
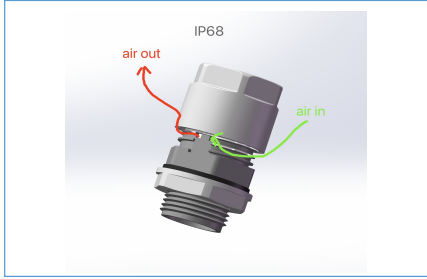


# MIV SERIES

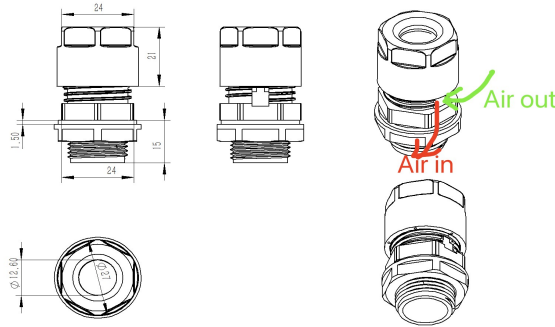
## Highflow Ventilation Cable gland

### MIV-CA VENTILATION CABLE GLAND



- >Maintain high airflow in large outdoor lighting or enclosure
- >Equalize pressure and reduce condensation by allowing air to flow freely into and out of sealed large enclosures.
- >Prevent lighting condensation.
- >IP68 protection class(2meters/60min.) and -40° C to +125° C operating temp.range.Best to use under the tough environment.
- >Reliably Protect sensitive electronics against water and other liquids.
- >Installing on the side face of enclosures is effective for outdoor use.

**Prevent condensation**



### Technical Data

	<b>Typical airflow</b>	>40l/h(dp=70mbar)							
	<b>Water entry pressure</b>	0.2bar/30sec							
	<b>Recommended torque</b>	0.7Nm							
	<b>Environmental performance</b>	IEC529,2nd(Protection class):IP66,IP67,IP68(Immersion:2meters/60min.)IP69K IEC60068-2-1,2,14(Heat resistance):-40°C~+125°C IEC600-2-78(Humidity testing):85% 85%humidity-1000 hours IEC62108.10.8.9(Solor industry testing):Humidity freeze-High temperature.Hail impact test.U.L94V-0(FI Flame resistant)							
	<b>Size</b>	<b>Clamping Range</b>				<b>Spanner Width</b>		<b>Outer Ø D mm</b>	<b>max. Height H mm</b>
<b>PART NO.</b>	<b>Thread Type METRIC acc. to EN 60423</b>	<b>For Cable OD</b>	<b>Thread OD</b>	<b>Thread Length TL mm</b>	<b>Wrench OD</b>	<b>SW Cap mm</b>	<b>SW Body mm</b>		
MIV-CA12	<b>M12x1,5</b>	3.5~8	12	10	18/19	18	19	21.5	30
MIV-CA12-4P		1.5~3(4 Pores)							
MIV-CAPG7	<b>PG7</b>	3.5~8	12	10	18/19	18	19	21.5	30
MIV-CAPG7-4P		1.5~3(4 Pores)							
MIV-CA16	<b>M16x1,5</b>	3.5~8	16	10	19/22	19	22	21.5	30
MIV-CA16-4P		1.5~3(4 Pores)		10	19/22	19		21.5	30
MIV-CA16A		5~10		10	22/22	22		21.5	30
MIV-CA16A-HA		5~10		10	22/22	22		21.5	30
MIV-CAPG9	<b>PG9</b>	3.5~8	16	10	19/22	19	22	21.5	30
MIV-CAPG9-4P		1.5~3(4 Pores)		10	19/22	19		21.5	30
MIV-CAPG9-15		5~10		15	22/22	22		21.5	30
MIV-CA20	<b>M20x1,5</b>	6~12	20	10	24/27	24	24	26.8	33
MIV-CA20-15	<b>M20x1,5</b>	6~12	20	15	24/27	24	24	26.8	33
<b>MIV-CA20HA-15</b>	<b>M20x1,5</b>	6~12	20	15	24/27	24	24	26.8	33
MIV-CAPG13.5	<b>PG13.5</b>	6~12	20	15	24/27	24	24	26.8	33
MIV-CAPG16	<b>PG16</b>	7~14	22.5	11	27/30	27	27	30.4	34
MIV-CAPG21	<b>PG21</b>	10~18	28.3	12.5	33/36	33	33	37.1	46.5
MIV-CA25	<b>M25x1.5</b>	10~18	25	15	33/36	33	33	36.7	46.5
MIV-CA25-4P		5.5 (4pores)	25	15	33/36	33	33	36.7	46.5