

MIV SERIES

Actual Picture



Actual Application



Performance:

- >Block ingress of wide range of contaminants,from rain and insects to dirt,dust,sand and other particulates,
- >can diffuse water vapor molecules the microporous membrane
- >IP 68 protection class(2 meters/60 min.) and -40° C to +125° C
- >operating temp.range.Best to use under the tough environment.
- >Simple and flat design meets any type of enclosures.
- >Installing on the side face of enclosures is effective for outdoor use.

Three Color and code

Light Grey

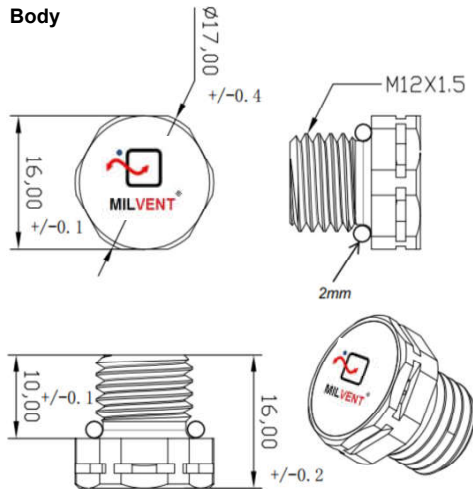
Black

Basalt Grey

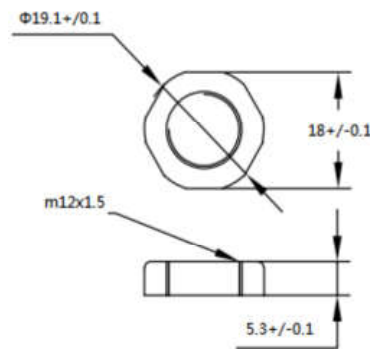
B

BG

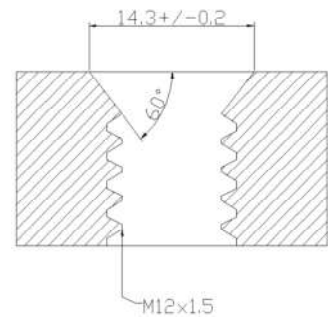
Body



Lock Nut



Assembly Dimensions



Part No.	MIV-12	MIV-12HA	MIV-12UHA	MIV-1210	MIV-1215	MIV-12LA	MIV-12K
Thread Type	M12x1.5-10	M12x1.5-10	M12x1.5-10	M12x1.0-5	M12x1.5-5	M12x1.5-10	M12x1.5-10
Typical airflow ml/min(dp=70mbar)	450	2000	4000	2000	2000	180	450
Water entry pressure bar/30sec	0.6	0.3	0.3	0.3	0.3	1	0.6(IP69K) Head height is 5mm
Recommended torque	0.7Nm						
Material	Body:PA6+PTFE+SILICONE ;Lock Nuts:PA6; (Lock Nuts Part no.:MIV-12NUT						
Enviromental performance	IP66. IP67. IP68 (Immersion:2meters/60min.) IP69K -40° C ~ +125° C 85° .85%humidity-1000 hours Humidity freeze-High temperature,Hail impact test. 94V0						