

## Actual Picture



## Performance:

Metal Dual Vent is designed to improve double check valve have risk to let the dust particulates entry enclosure during negative pressure happen under a tough environment. The structure inside combines a porous filter under double check valve and it could help to prevent dust particulates entry enclosure and meet IP68,IP69K. Below is the detail informations:

->Block ingress of wide range of contaminants,from rain and insects to dirt,dust,sand and other,particulates,

->IP 66,IP67,IP68,IP69K protection class and -40 ° C to +150 ° C

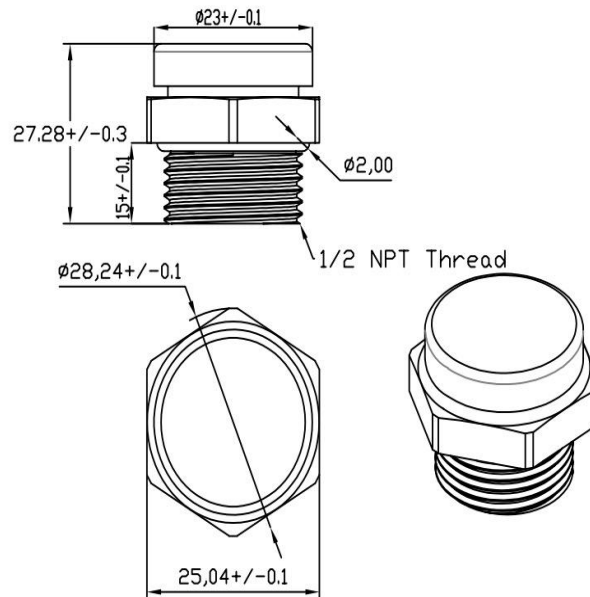
->operating temp.range.Best to use under the tough environment.

->No direction installation requirement.

## Application:

Gearbox,Mining lamp,EV Battery Pack,Senser,Motor, Telecom

## Dimensions



Part No.	Thread	w	TL	OD	Thread Length	Assembly Hole	Enviromental performance
MIV-1-2NPT-MA-V-F SN-OR	1/2NPT	25	27.28	28.24	15	1/2NPT	IP66,IP67,IP68,IP69K -40°C~+150°C Salt Spray Resistance. High temperature,Hail impact test.
1/4"NPT, 3/8 NPT, 3/4"NPT,1"NPT,M 12x1.5,M 16x1.5,M 20x1.5,G 1/4. we also can custom other							

**Other sizes please check with us.We can OEM any sizes for you rapidly within 3days.**

www.milvent.com; milvent@milvent.com

+8618218369198