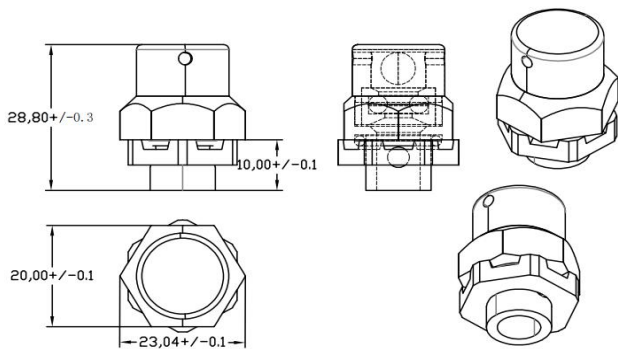


MIV Drain Plugs

Actual Picture



Dimensions



Performance:

->Block ingress of wide range of contaminants, from rain and insects to dirt, dust, sand and other, particulates,

->IP 66, IP67 protection class and -40° C to +125° C

->operating temp. range. Best to use under the tough environment.

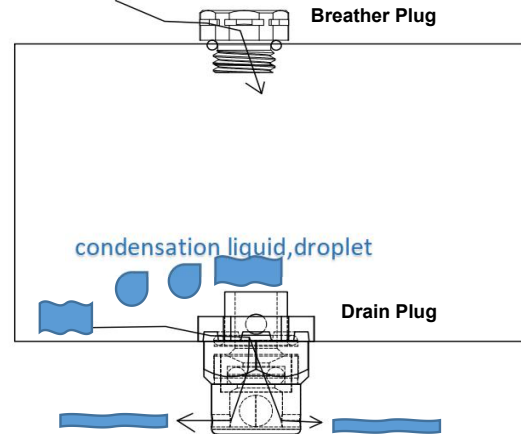
->Installing on the bottom of enclosures or at side closed to bottom is effective for outdoor use.

->Breather plug with special filter which could drain the water droplet very easy.

It is especially recommended for applications on outdoor enclosure under a heavy humidity environment. And it also already use a breather on the top side of enclosure. It will help to balance the pressure and help the liquid droplet drain out from drain plug easily.

When there is water spray from outside, the valve inside drain plug will be closed for waterproof protection and recovery after no water spray or water pressure.

Application Installation:



Part No.	Thread	d	h	f	e	Drain fit for Volume	Environmental performance
MIV-12DPB	M12x1.5	23.04	28.8	20	10	1L~3L	IP66, IP67 (Immersion: 1 meters/30 min.) -40°C ~ +125°C 85% humidity-1000 hours High temperature, Hail impact test.
MIV-16DPB	M16x1.5	27.04	28.8	24	17	3L~4L	
MIV-20DPB	M20x1.5	25.04	28.8	28	22	4L~6L	
MIV-32DPB	M32x1.5	30.04	28.8	40	27	6L~8L	
MIV-40DPB	M40x1.5	36.04	28.8	48	32	10L~20L	

Other sizes please check with us. We can OEM any sizes for you rapidly within 3 days.

www.milvent.com; milvent@milvent.com

+8618218369198