



Datesheet of Milvent Screw Vents

MIV SERIES

Actual Picture



Actual Application

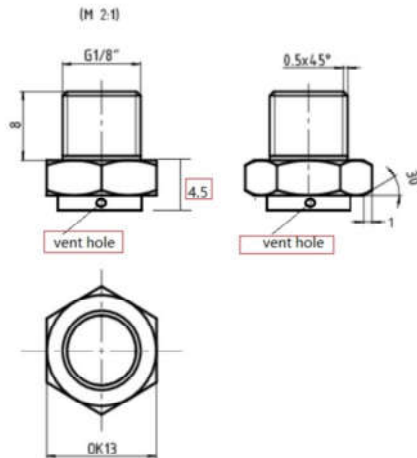


Performance:

- >Block ingress of wide range of contaminants,from rain and insects to dirt,dust,sand and other particulates,
- >can diffuse water vapor molecules the microporous membrane
- >IP 68 protection class(2 meters/60 min.) and -40° C to +125° C
- >operating temp.range.Best to use under the tough environment.
- >Simple and flat design meets any type of enclosures.
- >Installing on the side face of enclosures is effective for outdoor use.

Body :SUS303 OR Brass

Gasket: Flat Gasket



Part No.	MIV-G1-8MSUS	MIV-G1-8MS					
Thread Type	G1/8"	G1/8"					
Typical airflow ml/min(dp=70mbar)	450	450					
Water entry pressure bar/30sec	0.3	0.3					
Body material	SUS303 Brass In Nickel Plate						
Recommended torque	0.7Nm						
Material	Body:METAL +SILICONE						
Enviromental performance	IP66. IP67. IP68 (Immersion: 2meters/60min.) -40° C~+125° C 85° .85%humidity-1000 hours Humidity freeze-High temperature, Hail impact test.						