

## MIV Drain Snap Plugs

### Actual Picture

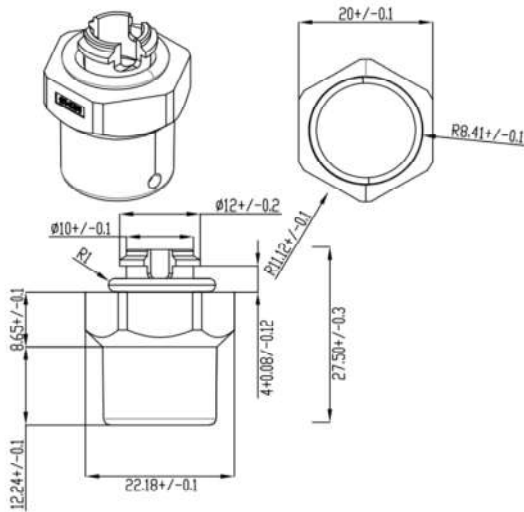


### Performance:

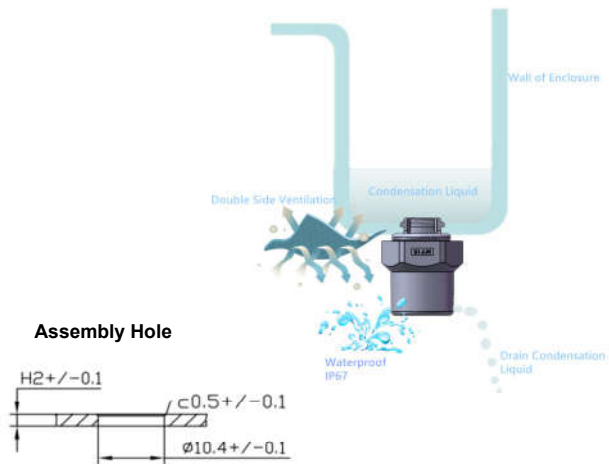
- >Block ingress of wide range of contaminants,from rain and insects to dirt,dust,sand and other,particulates,
  - >IP 66,IP67 protection class and -40° C to +125° C
  - >operating temp.range.Best to use under the tough environment.
  - >Installing on the bottom of enclosures or at side closed to bottom is effective for outdoor use.
  - >Breather plug with special filter which could drain the water droplet very easy.
- It is especially recommended for applications on outdoor enclosure like Telecom Products,Lighting,Automotive under a heavy humidity enviroment. And it also already use a breather on the top side of enclosure. It will help to balance the pleasure and help the liquid droplet drain out from drain plug easily.

When there is water spray from outside, the valve inside drain plug will be closed for waterproof protection and recovery after no water spray or water pressure.

### Dimensions



### Assembly Guide



Part No.	Assembly Hole	TH	OD	W	Snap for	Drain fit for Volume	Enviromental performance
MIV-12DPB-SNAP	10.4+/-0.1	27.5	22.18	20	2mm thickness cap OEM	>1L	IP66.IP67(Immersion:1meters/30min.) -40°C--+125°C 85°.85%humidity-1000 hours

**Other sizes please check with us.We can OEM any sizes for you rapidly within 3days.**

www.milvent.com; milvent@milvent.com

+8618218369198