



Datesheet of Milvent Prevent Leak Vent

Milvent Prevent Leak Vent

Actual Picture



Performance:

->Block ingress of wide range of contaminants,from rain and insects to dirt,dust,sand and other,particulates,

->IP 66,IP67 protection class and -40° C to +125° C

->operating temp.range.Best to use under the tough environment.

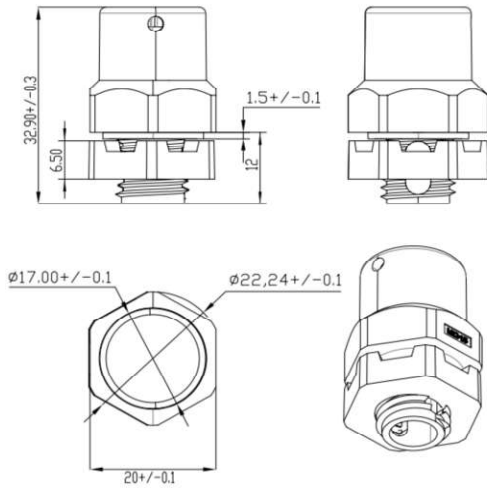
->Installing on the inside of enclosures for outdoor use. lock nut faces out side

->Breather plug with special filter which could vent and waterproof .

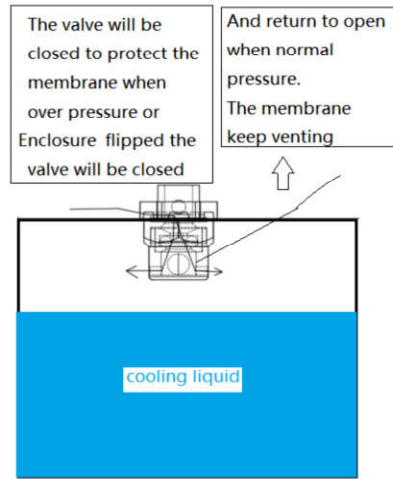
It is especially recommended for applications on outdoor enclosure under a heavy humidity enviroment,such as battery pack/equipment or container with cooling liquid

-->it have a valve at the bottom of membrane and it could be closed when there is abnormal big pressure or liquid would like to touch the membrane(such as enclosure flipped conditions)

Dimensions



Application Installation:



Assembly Hole:12.1+/-0.1

Part No.	Thread	w	TL	OD	Thread Length	Drain fit for Volume	Enviromental performance
MIV-12DPB	M12x1.5	20	32.9	22.24	12	1L~3L	IP66.IP67(Immersion:1meters/30min.) -40°C~+125°C 85%.85%humidity-1000 hours High temperature,Hail impact test.

Other sizes please check with us.We can OEM any sizes for you rapidly within 3days.

www.milvent.com; milvent@milvent.com

+8618218369198