



Datesheet of Milvent Plastic Vent Cap

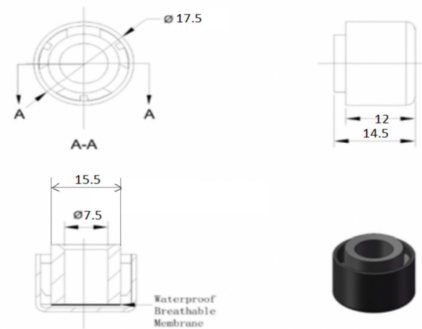
MIV SERIES

Actual Picture



Performance:

- >Block ingress of wide range of contaminants,from rain and insects to dirt,dust,sand and other particulates,Resistant Chemical,Ink,Oil etc
- >can diffuse water vapor molecules the microporous membrane inside have dual ventilation performance
- >IP 68 protection class(2 meters/60 min.) and -40° C to +120° C
- >operating temp.range.Best to use under the tough environment.
- >Simple and easy plug-in design
- >Installing on the side face of enclosures is effective for outdoor use.



Color:
Part Number

- G
- B
- Gray
- B

Part Number	MIV-Cap-Vent-026	MIV-Cap-Vent-208	MIV-Cap-Vent-130	MIV-Cap-Vent-210	MIV-Cap-Vent-220		
Typical airflow cm ³ /min(dp=7kpa)	50	1500	13000	50	1500		
Water entry pressure kpa	100	20	3	100	20		
Body material	PP+TPE						
Material	Membrane EPTFE						
Enviromental performance	-40° C~+120° C Salt Spray Resistance High temperature, 105°C × 1000hrs, Low temperature, -30°C × 1000hrs Moist heat, 85°C, 85%RH × 1000hrs						